

Year 6 Spring 2 Maths Activity Mat

3

1 Round the following numbers to the nearest one million.

5 672 396 →

8 500 000 →

1 499 999 →

4 Calculate:

$$\frac{1}{2} \times \frac{1}{2} =$$

$$\frac{1}{2} \times \frac{1}{5} =$$

$$\frac{1}{4} \times \frac{1}{3} =$$

7 Estimate angle a. _____



2 Use this Carroll diagram to write the common factors of 12 and 15.

| | Factor of 16 | Not a factor of 16 |
|--------------------|--------------|--------------------|
| Factor of 24 | | |
| Not a factor of 24 | | |

5 Calculate, writing the answer as a decimal:

$$4 \overline{) 138}$$

8 Find three pairs of numbers that satisfy these equations:

$$a + b = 14$$

$$c - d = 2$$

3 Half a number is 29. What is the number?

6 Calculate the area and perimeter of the following rectangle.

Area =

Perimeter =



Year 6 Spring 2 Maths Activity Mat

3

1 Round the following numbers to the nearest ten million.

23 891 500 →

85 000 000 →

44 500 000 →

2 Use this Carroll diagram to write the common factors of 8 and 18.

| | Factor of 8 | Not a factor of 8 |
|--------------------|-------------|-------------------|
| Factor of 18 | | |
| Not a factor of 18 | | |

3 What number, when halved, is three times 16?

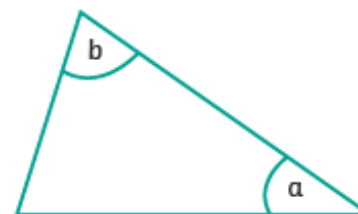
4 Calculate:

$$\frac{1}{3} \times \frac{1}{1} = \frac{1}{12}$$

$$\frac{1}{1} \times \frac{2}{3} = \frac{2}{30}$$

$$\frac{3}{4} \times \frac{2}{3} = \frac{1}{2}$$

7 Estimate angles a and b.



5 Calculate, writing the answer as a decimal:

$$8 \overline{) 510}$$

6 Write possible measurements for the sides of this rectangle.

Area = 24cm²

Perimeter = 22cm



8 Find three pairs of numbers that satisfy these equations:

$$2a - b = 5$$

$$c + 4d = 15$$

Year 6 Spring 2 Maths Activity Mat

3

1 Round the following numbers to the nearest five million.

22 500 000 →

27 500 000 →

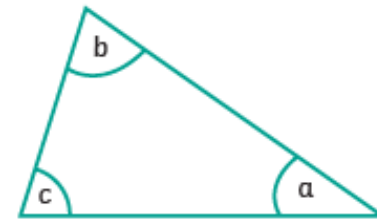
67 490 000 →

4 Calculate:

$$\frac{1}{4} \times \frac{2}{6} = \frac{1}{6} \quad \frac{3}{5} \times \frac{2}{3} = \frac{1}{5}$$

$$\frac{7}{8} \times \frac{4}{10} = \frac{7}{10}$$

7 Estimate angles a, b and c.



2 Draw a Carroll diagram to write the common factors of 14 and 35.

5 Calculate, writing the answer as a decimal:

$$16 \overline{)1066}$$

3 What number, when halved, is a sixth of the sum of 34 and 14?

6 Draw (not to scale) a rectangle with the same area as this rectangle, but with a different perimeter. Label the sides.



8 Find three pairs of numbers that satisfy these equations:

$$2a - 3b = 9$$

$$4c + 3d = 25$$

Year 6 Spring 2 Maths Activity Mat

3

1

Round the following numbers to the nearest one million.

5 672 396 → **6 000 000**

8 500 000 → **9 000 000**

1 499 999 → **1 000 000**

4

Calculate:

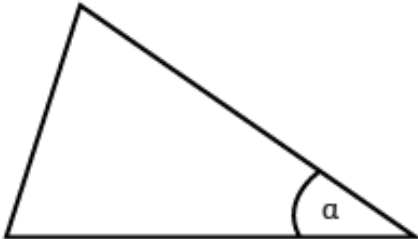
$$\frac{1}{2} \times \frac{1}{2} = \frac{1}{4}$$

$$\frac{1}{2} \times \frac{1}{5} = \frac{1}{10}$$

$$\frac{1}{4} \times \frac{1}{3} = \frac{1}{12}$$

7

Estimate angle a. 35°



2

Use this Carroll diagram to write the common factors of 12 and 15.

| | | |
|--------------------|----------------|--|
| | Factor of 16 | Not a factor of 16 |
| Factor of 24 | 1,2,4,8 | 3,6,12 |
| Not a factor of 24 | 16 | 5,7,9,10, 11,13,14,15, 17-23,25 and higher |

5

Calculate, writing the answer as a decimal:

34.5

$$4 \overline{) 138}$$

8

Find three pairs of numbers that satisfy these equations:

$a + b = 14$

$a = 13, b = 1;$
 $a = 12, b = 2;$
 $a = 11, b = 3$

$c - d = 2$

$c = 10, d = 8;$
 $c = 9, d = 7;$
 $c = 8, d = 2$

3

Half a number is 29. What is the number?


58

6

Calculate the area and perimeter of the following rectangle.

Area = **36cm^2**

Perimeter = **26cm**



Year 6 Spring 2 Maths Activity Mat

3

1

Round the following numbers to the nearest ten million.

23 891 500 → **20 000 000**

85 000 000 → **90 000 000**

44 500 000 → **40 000 000**

2

Use this Carroll diagram to write the common factors of 8 and 18.

| | Factor of 8 | Not a factor of 8 |
|--------------------|-------------|---|
| Factor of 18 | 1, 2 | 3, 6, 9, 18 |
| Not a factor of 18 | 4, 8 | 5, 7, 9, 10, 11, 13, 14, 15, 17 - 23, 25 and higher |

3

What number, when halved, is three times 16?

96

4

Calculate:

$$\frac{1}{3} \times \frac{1}{4} = \frac{1}{12}$$

$$\frac{1}{10} \times \frac{2}{3} = \frac{1}{15}$$

$$\frac{3}{4} \times \frac{2}{3} = \frac{1}{2}$$

5

Calculate, writing the answer as a decimal:

$$63.75$$

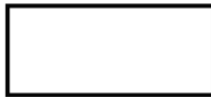
$$8 \overline{) 510}$$

6

Write possible measurements for the sides of this rectangle.

Area = 24cm²

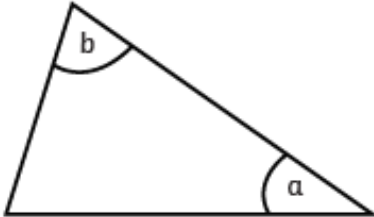
Perimeter = 22cm



8cm × 3cm

7

Estimate angles a and b.



a = 35° and b = 75°

8

Find three pairs of numbers that satisfy these equations:

$$2a - b = 5$$

a = 5, b = 5;
a = 6, b = 7;
a = 7, b = 9

$$c + 4d = 15$$

c = 3, d = 3;
c = 7, d = 2;
c = 11, d = 1

Year 6 Spring 2 Maths Activity Mat

3

1 Round the following numbers to the nearest five million.

22 500 000 → **25 000 000**

27 500 000 → **30 000 000**

67 490 000 → **65 000 000**

2 Draw a Carroll diagram to write the common factors of 14 and 35.

| | | |
|--------------------|--------------|---|
| | Factor of 14 | Not a factor of 14 |
| Factor of 35 | 1, 7 | 5, 35 |
| Not a factor of 35 | 2, 14 | 3, 4, 6, 8 - 13, 15 - 34, 36 and higher |

3 What number, when halved, is a sixth of the sum of 34 and 14?

16

4 Calculate:

$$\frac{1}{4} \times \frac{2}{3} = \frac{1}{6} \qquad \frac{3}{10} \times \frac{2}{3} = \frac{1}{5}$$

$$\frac{7}{8} \times \frac{4}{5} = \frac{7}{10}$$

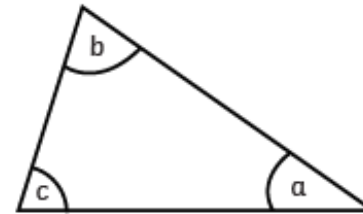
5 Calculate, writing the answer as a decimal:

66.625

6 Draw (not to scale) a rectangle with the same area as this rectangle, but with a different perimeter. Label the sides.

Various answers including 6 x 6cm, 12 x 3 cm, 18 x 2 cm, 36 x 1 cm

7 Estimate angles a, b and c.



Angles must be reasonable and add up to 180°. E.g a = 35°, b = 75°, c = 70°

8 Find three pairs of numbers that satisfy these equations:

$$2a - 3b = 9$$

$$\mathbf{a = 6, b = 1;}$$

$$\mathbf{a = 9, b = 3;}$$

$$\mathbf{a = 12, b = 5}$$

$$4c + 3d = 25$$

$$\mathbf{c = 1, d = 7;}$$

$$\mathbf{c = 4, d = 3;}$$

$$\mathbf{c = 7, d = -1}$$